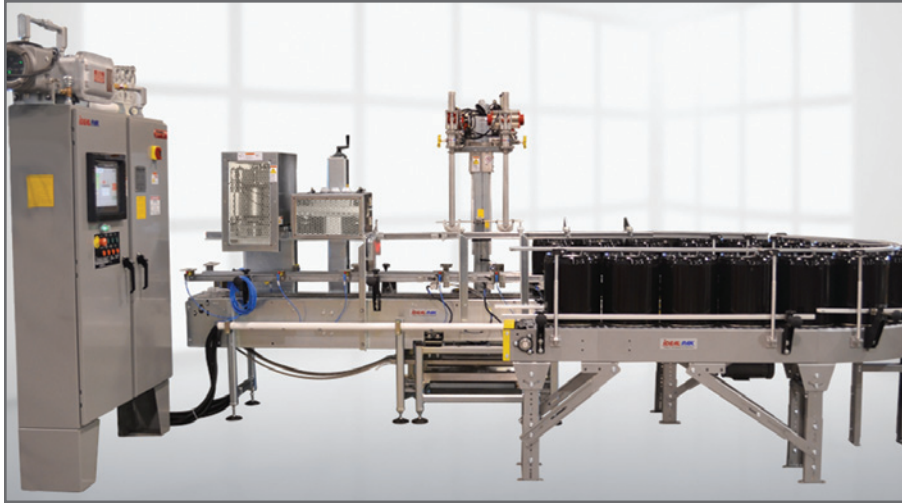


ELECTRONIC NET WEIGHT FILLING AND CLOSING MACHINE FOR BOTTOM FILLING 1 GALLON THROUGH 5 GALLON CONTAINERS (OPEN TOP OR F-STYLE)



Ideal-Pak Model AE2-CJM Two Head Automatic Net Weight Liquid Filling Machine*

PRODUCT OVERVIEW

The Ideal-Pak **PREMIER** Line delivers the highest of levels of automation and precision filling performance in a full-featured package. Improve productivity with automatic PLC-controlled conveyor systems, and closers for hands-free operation. All Premier Line filling systems feature a touch screen HMI with recipe storage and SPC with check-weigh data logging and Ethernet connectivity to deliver the highest accuracy, consistent fills, and maximum throughput.

STANDARD PRODUCT FEATURES

- Fill by Weight (Electronic Net Weight Filling)
- Bottom Fill (Shown) or Top Fill (Not Shown)
- 1 Gallon Through 5 Gallon Metal or Plastic Containers (Open Top or F-Style)
- Close 1 Gallon Through 5 Gallon Open Top Metal or Plastic Containers
- Rice Lake Weight Controller with Touch Pad Controls

- Stoltz Press and Rieke Press
- Guide Rails Maintain Consistent Centering of Tighththead Containers
- Rigid Steel Frame Construction




* Will also fill 1/2 pint, pint and quart containers if properly configured.

May be covered by one or more of the following U.S. Patents: #5,505,233, #5,823,406, #6,148,877, #6,595,250

CONTAINER SIZE

| Small Containers | | | |
|------------------|---------|--|-------|
| • 1/2 Pint | • Pails | | |
| • Pints | | | Kegs |
| • Quarts | | | Drums |
| • Gallons | | | Totes |

INDUSTRIES SERVED

| | |
|-------------------|---|
| Paints & Coatings |  |
| Chemicals |  |
| Lubricants |  |

ABOUT IDEAL-PAK

Ideal-Pak Liquid Filling Machines are designed to increase your yields, productivity and efficiency. Choose from Automatic to Semi-Automatic or Manual Configurations to fill small containers up to drums and totes. Ideal-Pak customers are in the paint and coatings, lubricants, chemicals and food & beverage industries.

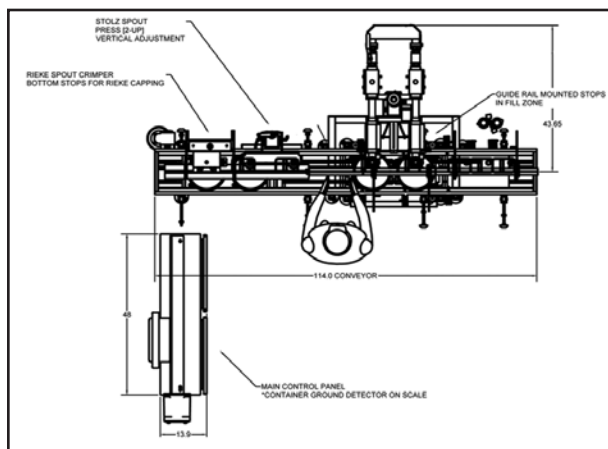
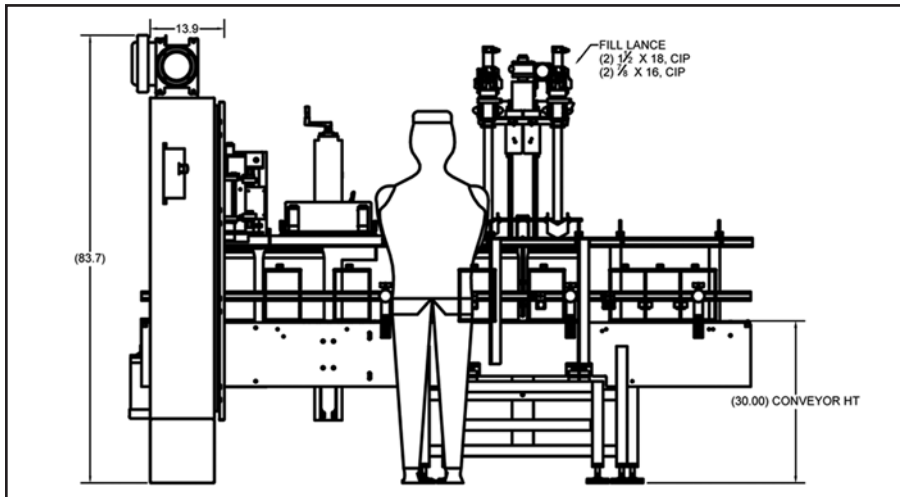
Ideal-Pak is also your first source for a wide variety of closing machines, lid placers and precision nozzles, plus parts and service, (including Neupak).



Automatic Electronic Net Weight Liquid Filling Machine

| MACHINE SPECIFICATIONS | | |
|---|-----------------------------------|---------------------------------|
| Electrical | 208-230/460 VAC, 1 Ø, 60 Hz | |
| Air (per head) | 140 SCFM @ 80 PSI (Clean Dry Air) | |
| Speed (CPM) 2 Fill Heads | Top Fill Estimated Range* | Bottom Fill Estimated Range* |
| 1 Gallon (F-Style) | 6 - 10 | 4 - 8 |
| 5 Gallon (Tighthead Style) | 3 - 6 | 2 - 4 |
| Accuracy: To Within ± .10 lbs | | |
| *Estimated average range for open top & F-Style containers. Fill rates will vary depending on container size, container shape, fill opening, accuracy required, product supply, as well as individual product characteristics and operation mode. | | |

Subject to changes and modifications without notice.



Electronic Net Weight Filling and Closing Machine for Bottom Filling 1 Gallon through 5 Gallon Containers (Open Top or F-Style)*

OPTIONS

- Additional Mobile Filling Carts
- Explosion Proof Machine Upgrade (Class 1, Div 1)
- Flush Trough for Remote Fill Cart Cleaning
- Glycol Pumps
- Hand Capper (pneumatic)
- Ideal Pak's Exclusive; Direct Fill System – DFS® – Fill Carts
- In-feed, On-Scale and Exit Conveyors (gravity roller or powered)
- Lid Placers
- Nitrogen Purge Controls
- Pump Controls
- Roller Closers, Crimper Closers or Press Plate (burper) Closers
- Rotary In-Feed or Accumulation Tables
- Sanitary Contact Parts
- Spare Parts Kits
- Top Fill, Inside Fill or Bottom Up Filling
- Various Nozzle Configurations; Cone, Plug, Probe & Shower
- Zinc Plated Carbon Steel, Stainless Steel or Epoxy Coated Paint Frame

* Will also fill 1/2 pint, pint and quart containers if properly configured.

May be covered by one or more of the following U.S. Patents: #5,505,233, #5,823,406, #6,148,877, #6,595,250

AE2-CJM Rev. 05-2014

