

### AUTOMATIC NET WEIGHT LIQUID FILLING MACHINES - AE SERIES

#### ELECTRONIC NET WEIGHT FILLING MACHINE WITH IDEAL-PAK DFS® DIRECT FILL SYSTEM FOR FILLING 1 GALLON THROUGH 5 GALLON CONTAINERS







Ideal-Pak Model AE3-CNM-DFS Two Head Automatic Net Weight Liquid Filling Machine with DFS® Direct Fill System, and Ideal-Pak Cone Nozzles.

#### CONTAINER SIZE

Small Containers		
1/2 Pint	•	Pails
Pints		Kegs
Quarts		Drums
• Gallons		Totes

#### INDUSTRIES SERVED

Paints & Coatings	
Chemicals	
Lubricants	
Food & Beverage	

#### ABOUT IDEAL-PAK

Ideal-Pak Liquid Filling Machines are designed to increase your yields, productivity and efficiency. Choose from Automatic to Semi-Automatic or Manual Configurations to fill small containers up to drums and totes. Ideal-Pak customers are in the paint and coatings, lubricants, chemicals and food & beverage industries.

Ideal-Pak is also your first source for a wide variety of closing machines, lid placers and precision nozzles, plus parts and service, (including Neupak).

#### PRODUCT OVERVIEW

The Ideal-Pak **PREMIER** Line delivers the highest of levels of automation and precision filling performance in a full-featured package. Fill by manifold cart or DFS® Direct Fill System as determined by your product application. Automatic PLC-controlled filling improves productivity.

#### STANDARD PRODUCT FEATURES

- Electronic Net Weight Filling In 1 through 8 Head Container Filling Station Configurations.
- Allen-Bradley PLC.
- Auto Preact.
- Check Weigher at Fill Stations.
- Container Counter.
- Fast Fill Recipe Development & Convenient Fill Recipe Storage.
- Fills 1 Gallon to 5 Gallon Containers.
- Large Color Touch Screen HMI with Recipe Storage & Ethernet Connectivity.
- Lb/Kg Weight Units Toggle.
- Machine Diagnostics.
- No Container No Fill Detection.
- Patented Interchangeable Fill Cart System (Ideal-Pak DFS® Direct Fill System or Manifold Fill Cart).
- Permanent Lubrication.
- Preventative Maintenance Alert.
- Rigid Zinc Plated Steel Frame Construction.

\* Configurations available to fill 1/2 pint to gallon containers.

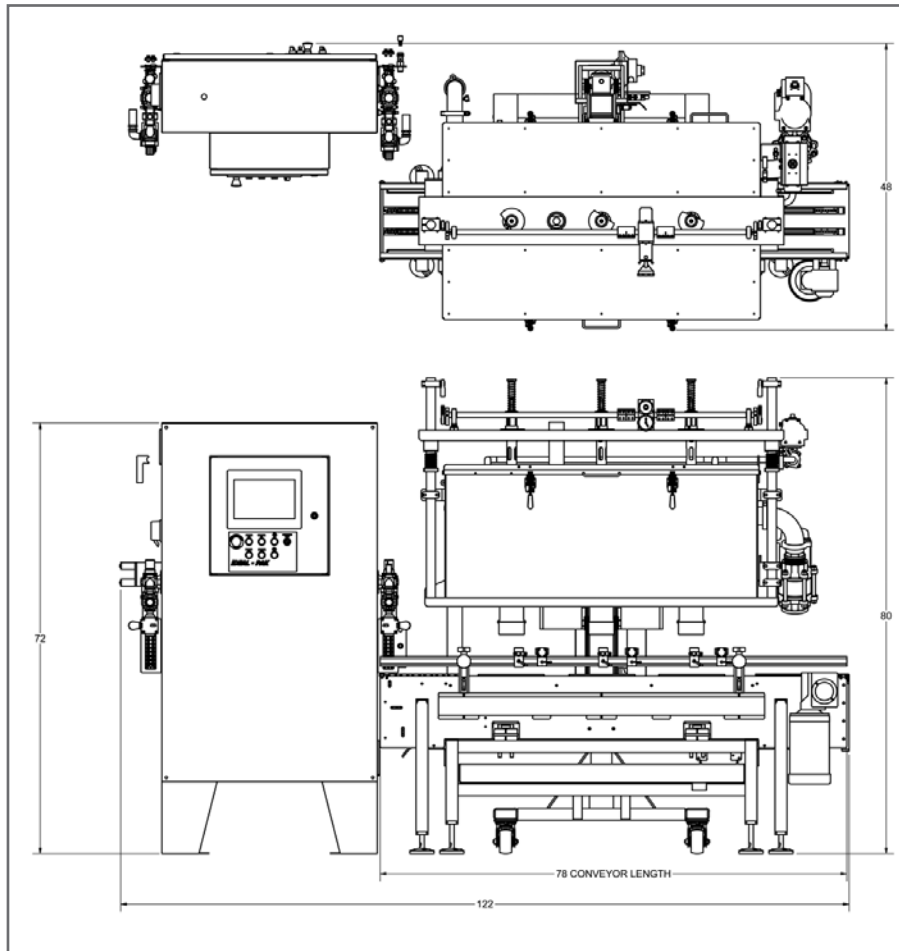
May be covered by one or more of the following U.S. Patents: #5,505,233, #5,823,406, #6,148,877, #6,595,250



## Automatic Electronic Net Weight Liquid Filling Machine

### MACHINE SPECIFICATIONS

Electrical	460 VAC, 3Ø, 60 Hz
Air	80 SCFM @ 80 - 90 PSI (Clean Dry Air) with customer's air diaphragm pump
Speed (CPM)	3 Head
1 Gallon Open Top	12 - 18
2 Gallon Open Top	12 - 18
5 Gallon Open Top	9 - 15
Accuracy: To Within $\pm$ .25 lbs	
*Estimated average range. Fill rates will vary depending on container size, container shape, fill opening, accuracy required, product supply, as well as individual product characteristics and operation mode.	



### OPTIONS



Ideal-Pak Flush Trough for Remote Fill Cart Cleaning.

- Additional Mobile Filling Carts.
- Explosion Proof Machine Upgrade Class 1, Div 1.
- Glycol Pumps.
- Hand Capper (pneumatic).
- In-feed & Exit Conveyors, Gravity Roller or Powered).
- Lid Placers.
- Nitrogen Purge Controls.
- Pump Controls.
- Roller Closers, Crimper Closers or Press Plate (burper) Closers.
- Rotary In-Feed or Accumulation Tables.
- Sanitary Contact Parts.
- Spare Parts Kits.
- Top Fill, Inside Fill or Bottom Up Filling.
- Various Nozzle Configurations; Cone, Plug, Probe & Shower.
- Zinc Plated Carbon Steel, Stainless Steel or Epoxy Coated Paint Frame.

May be covered by one or more of the following U.S. Patents: #5,505,233, #5,823,406, #6,148,877, #6,595,250. Subject to changes and modifications without notice.

AE3-CNM-DFS Rev. 09-2015

