

AC1-NNM

Industry Solutions Since 1949



This Volumetric filling machine is **ideal** for packaging pint to gallon containers. It is easily incorporated into an automatic packaging line.



May be covered by one or more of the following Patents: 5,505,233, 5,823,406, 6,148,877, 6,595,250

Automatic Volumetric Filling Machine for Pint to Gallon Containers

FEATURES:

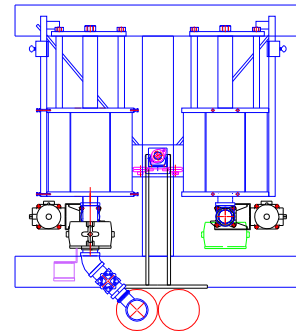
- ◆ Infinite fill limit valve for changing volume on the next fill cycle
- ◆ Hand crank to adjust nozzle and measuring cylinder height
- ◆ Dispenses in a single stroke for fast fills
- ◆ Zinc plating provides a durable finish
- ◆ Air logic controls make it suitable for use in hazardous locations
- ◆ Container stops and limit valves

IDEAL[®]
MANUFACTURING & SALES CORP.

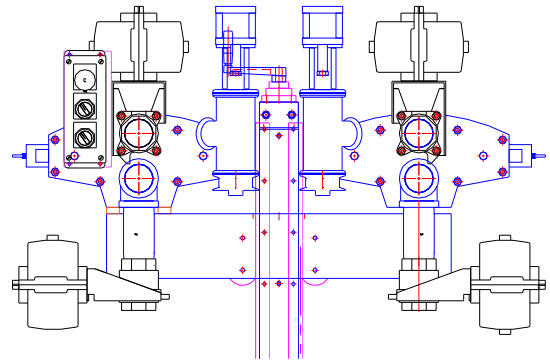
Options:

- PLC controls
- Flush attachments connect to the nozzle for enclosed cleaning
- Several nozzle configurations including capillary, plug, cone and probe
- Measuring cylinder mounted low
- Additional fill position

Top View



Front View



4607 Dovetail Drive
 Madison, WI 53704
 Phone: 608-241-1118
 Toll Free: 800-383-1128
 Fax: 608-241-4448

E-Mail:

sales@idealmfg.com

Visit our Website at

www.idealmfg.com

Machine Specifications

Electrical	None	
Air (per head)	10 SCFM @ 80 PSI (clean dry air)	
Container Size	Pint to 1 gallon open top	
Speed*	CPM	
	1 Head	2 Head
Pint	15 - 25	30 - 50
Quart	15 - 25	30 - 50
Gallon	14 - 20	25 - 40
Accuracy**	± .25% by volume	

* Fill rates will vary depending on container size, container shape, fill opening, accuracy required, product supply, as well as individual product characteristics.

**A consistent head pressure in the tank this machine will draw from, will help keep the fill accurate.

Since we continuously strive to improve our products, we reserve the right to make changes and modifications without notice.