

ELECTRONIC NET WEIGHT FILLING MACHINE FOR DRUMS



Ideal-Pak Prism 55-D Semi-Automatic Net Weight Liquid Filling Machine - Inside Fill Configuration







Ideal-Pak Prism 55-D Semi-Automatic Net Weight Liquid Filling Machine - Bottom Fill Configuration

CONTAINER SIZE

Small Containers		
1/2 Pint		Pails
Pints	•	Kegs
Quarts	•	Drums
Gallons		Totes

INDUSTRIES SERVED

Paints & Coatings	
Chemicals	
Lubricants	
Food & Beverage	

PRODUCT OVERVIEW

Ideal-Pak PREFERRED LINE of liquid filling machines combines precision electronic net weight filling with a full-featured semi-automatic filling package. Expandable modular designs with Allen Bradley PLC, touch pad HMI, SPC reporting, and top fill, inside fill or bottom fill machine configurations provide flexibility for a wide variety of liquid applications. The Ideal-Pak economical PREFERRED LINE provides simple operation and efficient liquid transfer to boost the production of your liquid filling operation.

OPERATION: To fill a single drum, place a drum on the scale platform. Position the container opening under the nozzle. Press the "Fill" function, the nozzle lowers and filling begins and increases to full flow speed. Product filling slows when the dribble set point is reached. Move the container off the scale by fork lift or by optional rollers to an accumulation conveyor.

STANDARD PRODUCT FEATURES

- High Accuracy Electronic Net Weight Filling

- Allen-Bradley PLC for Machine Control
- Color HMI Touch Screen Interface
- Dribble Cycle Increases Accuracy
- Top Fill, Inside Fill, or Bottom Fill Machine Configurations
- Zinc Plated Frame

May be covered by one or more of the following U.S. Patents: #5,505,233, #5,823,406, #6,148,877, #6,595,250

ABOUT IDEAL-PAK

Ideal-Pak Liquid Filling Machines are designed to increase your yields, productivity and efficiency. Choose from Automatic to Semi-Automatic or Manual Configurations to fill small containers up to drums and totes. Ideal-Pak serves customers in the paint and coatings, lubricants, chemicals and food & beverage industries.

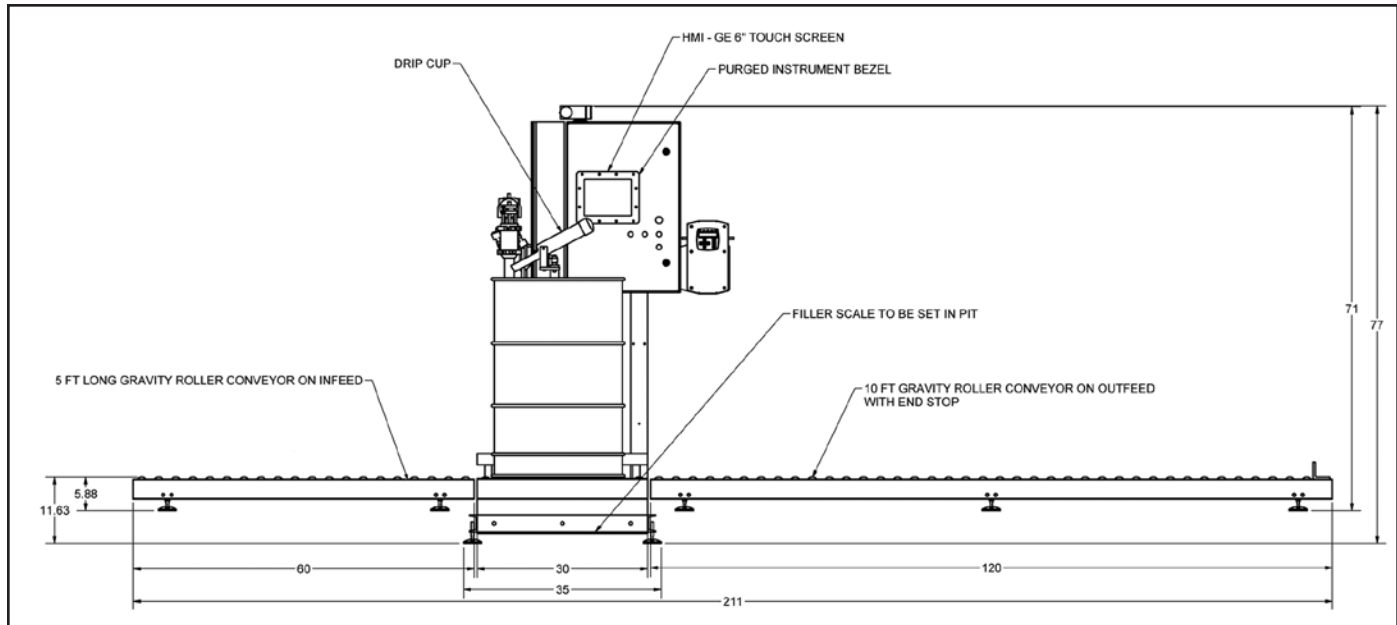
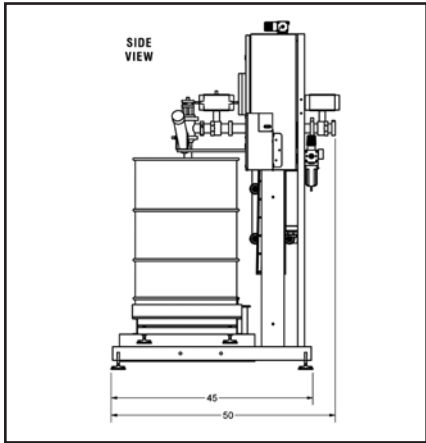
Ideal-Pak is also your first source for a wide variety of closing machines, lid placers and precision nozzles, plus parts and service, (including Neupak).



Semi-Automatic Electronic Net Weight Liquid Filling Machine for Drums

MACHINE SPECIFICATIONS		
Electrical	120VAC, single phase, 60Hz	
Air (per head)	5 SCFM @ 80PSI (clean dry air)	
Speed - MPC (Minutes per container)	Top Fill Estimated Range*	Bottom Fill Estimated Range*
15 Gallon Drums	.5 - 1	.5 - 2
55 Gallon Drums	1 - 3	1 - 2
Accuracy: To Within ± 1.0 lbs		
*Estimated average range. Fill rates will vary depending on container size, container shape, fill opening, accuracy required, product supply, as well as individual product characteristics and operation mode.		

Subject to changes and modifications without notice.



Electronic Net Weight For Filling Drums

OPTIONS

- Connectivity to Factory Automation
- Flush Attachments Connect To the Nozzle for Enclosed Cleaning
- Gravity or Powered Roller Conveyors
- Several Nozzle Configurations Including Plug, Cone and Probe
- Top Fill, Inside Fill, or Bottom Fill Machine Configurations
- Type X Purge System
- Valve, Regulator and Lubricator to Control Air Diaphragm Pump/Tranquillizer

May be covered by one or more of the following U.S. Patents: #5,505,233, #5,823,406, #6,148,877, #6,595,250

Prism 55-D Rev. 05-2014

