





INTRODUCING IDEAL-PAK'S NEW NO-WEEP 3 X 4 SWEEP PLUG NOZZLE FOR FILLING THROUGH SCREW CAP OPENINGS OR VISCOUS PRODUCTS --- *WEEP NO MORE!*



CONTAINER SIZE

Small Containers			
• 1/2 Pint	• Pails		
• Pints		Kegs	
• Quarts		Drums	
• Gallons		Totes	

INDUSTRIES SERVED

Paints & Coatings	
Chemicals	
Lubricants	
Food & Beverage	

Optional Flush Attachment



May be covered by one or more of the following U.S. Patents: #5,505,233, #5,823,406, #6,148,877, #6,595,250

IDEAL-PAK NOZZLES

Ideal-Pak precision made nozzles are an important component of our liquid filling machines. Ideal-Pak Nozzles are reliable, durable, corrosion resistant, and easy to clean.

NO-WEEP 3 x 4 PLUG NOZZLE

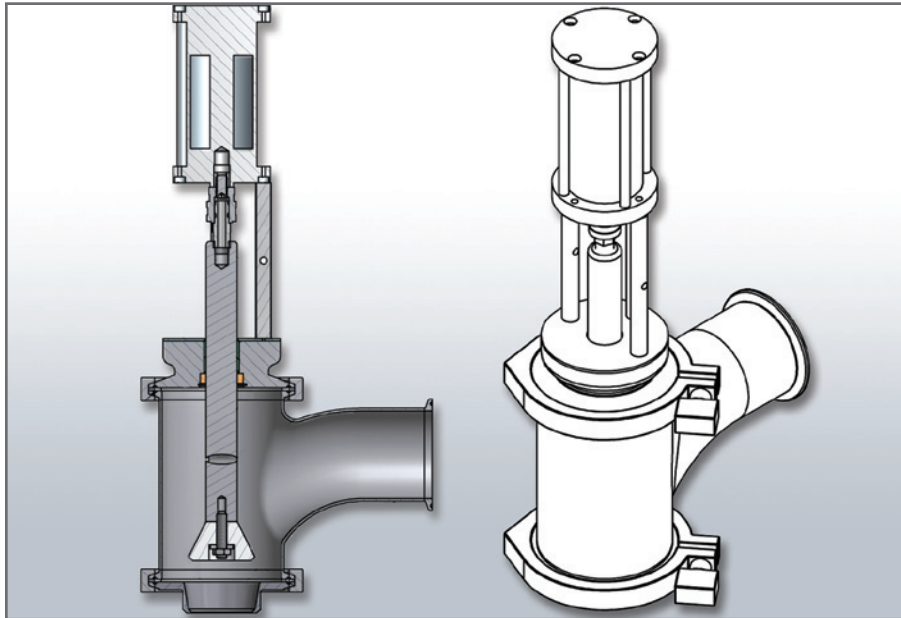
Featuring a stronger shaft, improved plug, and no dam, the new Plug Nozzle is the next generation of innovative nozzle design. The wetted parts on this nozzle are Stainless Steel, Teflon and Viton. An optional flush flange is available to enable a hose to be connected for enclosed cleaning.

STANDARD PRODUCT FEATURES

- Allows for Clean In Place (CIP)
- Fill Wide Variety of Containers
- Large Diameter Plug
- Quick connect to Air Cylinder
- Supports High Viscosity Filling
- Sweep Inlet
- Tool-free Assembly
- Wide Range of Plug Sizes



High Performance Nozzles For Liquid Filling Machines



ABOUT IDEAL-PAK

Ideal-Pak Liquid Filling Machines are designed to increase your yields, productivity and efficiency. Choose from Automatic to Semi-Automatic or Manual Configurations to fill small containers up to drums and totes. Ideal-Pak customers are in the paint and coatings, lubricants, chemicals and food & beverage industries.

Choose Ideal-Pak for a wide variety of closing machines, lid placers and precision nozzles, plus parts and service, including Neupak

CONTACT IDEAL-PAK PARTS & SERVICE

Phone: 608-316-6312

Email: service@ideal-pak.com

Ideal-Pak Line of High Performance Nozzles

Ideal-Pak has developed a variety of precision made nozzles to optimize the filling of virtually any liquid product. To learn more about the range of liquids and viscosities of our high performance nozzles for your application, contact your Ideal-Pak sales representative.



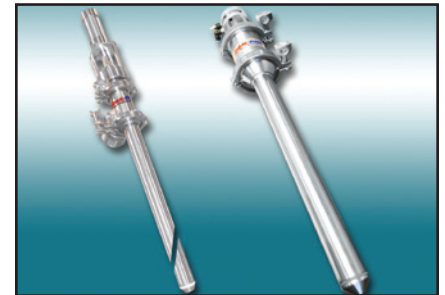
Vented Cone Nozzle

The Ideal-Pak Vented Cone Nozzle works great on products that have a tendency to string or drip from a capillary nozzle. The stainless steel cone pinches the product off getting rid of the string. The umbrella shape of the stream directs product flow over greater surface area to reduce foaming.



Shower Head Nozzle

The Ideal-Pak Shower Head Nozzle with interchangeable plates is designed for rapid drip free filling of 1/2 pint to 6 gallon open top containers with adhesives, inks and paints. It is also great for filling light liquids such as light paints, solvents, stains and other low to mid-viscosity products.



Probe Nozzle

The Ideal-Pak Probe Nozzle is designed for bottom-up filling of a wide range of products. The Probe Nozzle reduces static build-up and is well suited to filling foamy products. Available in long probe lengths for sub-surface and bottom-up filling in pails, kegs, drums and totes.

Plug Nozzle Rev. 07-2014

