

IDEAL-PAK[®]

Filling & Packaging Line Solutions

Industry Solutions Since 1949

PERFORMANCE^{Line}

Semi-Automatic Filling Machine
E-Series

Net Weight Filling Machine for 1/2 Pint to Pails

Shown with Plug Nozzle
and Optional Hand Capper



Model: ME1-RNM

FEATURES

- Fill by Weight
- Top Fill / Extended Plug Fill
- Metal or Plastic Containers
- Rice Lake Weight Controller
- Heavy-duty Casters with locks for portability
- Touch Pad HMI
- Rigid Steel Frame Construction
- Rollers on Scale



IDEAL[®]

MANUFACTURING & SALES CORP.

Ideal Manufacturing & Sales Corp.
4607 Dovetail Drive • Madison, WI 53704
Toll Free: (800) 383-1128 • Local: (608) 241-1118
www.ideal-pak.com

May be covered by one or more of the following
U.S. Patents: #5,505,233, #5,823,406, #6,148,877, #6,595,250



Sizes

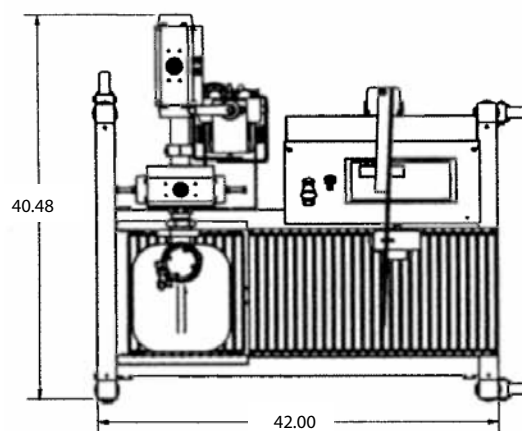
● 1/2 Pint	● Pails
● Pints	● Kegs
● Quart	● Drums
● Gallons	● Totes

Machine Specifications

Electrical	110 VAC, 1Ø, 60HZ
Air (per head)	5 CFM @ 80 PSI (Clean Dry Air)
Speed *	1 Head
1/2 Pint - 1 Gallon	3-6 cpm
5-6 Gallon	2-3 cpm
Accuracy: To Within $\pm .10$ lbs	
*Fill rates will vary depending on container size, container shape, fill opening, accuracy required, product supply, as well as individual product characteristics and operation mode.	

Since we continuously strive to improve our products, we reserve the right to make changes and modifications without notice.

Top View



OPTIONS

- Additional Product Contact Parts
- Product Contact Parts Mounted on Fill Cart
- Additional Fill Carts (up to 2 heads)
- Gravity Roller Conveyors
- Top & Bottom Up Filling
- Sanitary Product Contact Parts
- DFS™ Upgrade (Limited Nozzles)
- Nitrogen Purge Controls
- Purgeable Instrument Bezel
- Type X NFPA 496 Control Module
- Hand Capper
- Air Diaphragm Pump Control
- Remote air operated Flush Control Box for Filling Module
- Flush Trough for Remote Cleaning
- Lagable Level Pads
- Recommended Spare Parts Package

Front View

