

SEMI-AUTOMATIC NET WEIGHT LIQUID FILLING MACHINES - ME SERIES





NET WEIGHT FILLING & CLOSING FOR 1 THROUGH 5 & 6 GALLON & 20 LITER METAL OR PLASTIC CONTAINERS



CONTAINER SIZE

Small Containers	
1/2 Pint	• Pails
Pints	Kegs
• Quarts	Drums
• Gallons	Totes

INDUSTRIES SERVED

Paints & Coatings	
Chemicals	
Lubricants	
Food & Beverage	

ABOUT IDEAL-PAK

Ideal-Pak Liquid Filling Machines are designed to increase your yields, productivity and efficiency. Choose from Automatic to Semi-Automatic or Manual Configurations to fill small containers up to drums and totes. Ideal-Pak customers are in the paint and coatings, lubricants, chemicals and food & beverage industries.

Ideal-Pak is also your first source for a wide variety of closing machines, lid placers and precision nozzles, plus parts and service, (including Neupak).

FEATURES

- Fill by Weight
- Dual Ideal-Pak Probe nozzles configured for bottom-up filling.*
- Quarts, 1-6 Gallon Metal or Plastic Containers
- Pneumatically close with optional air wrench 2 Liter, 5 Liter, 10 Liter, 20 Liter Plastic Screw Top F-Style containers and 20 Liter Plastic Tight Head containers.
- Rice Lake Weight Controller with Touch Pad Controls
- Gravity Roller Exit Conveyor.
- Heavy-duty Casters with locks for portability.
- Compact machine footprint.
- Rigid Steel Frame Construction.
- Class 1, Div 1 Package.

**Top Fill and Inside Fill Available*

May be covered by one or more of the following U.S. Patents: #5,505,233, #5,823,406, #6,148,877, #6,595,250



Semi-Automatic Net Weight Liquid Filling Machine

MACHINE SPECIFICATIONS

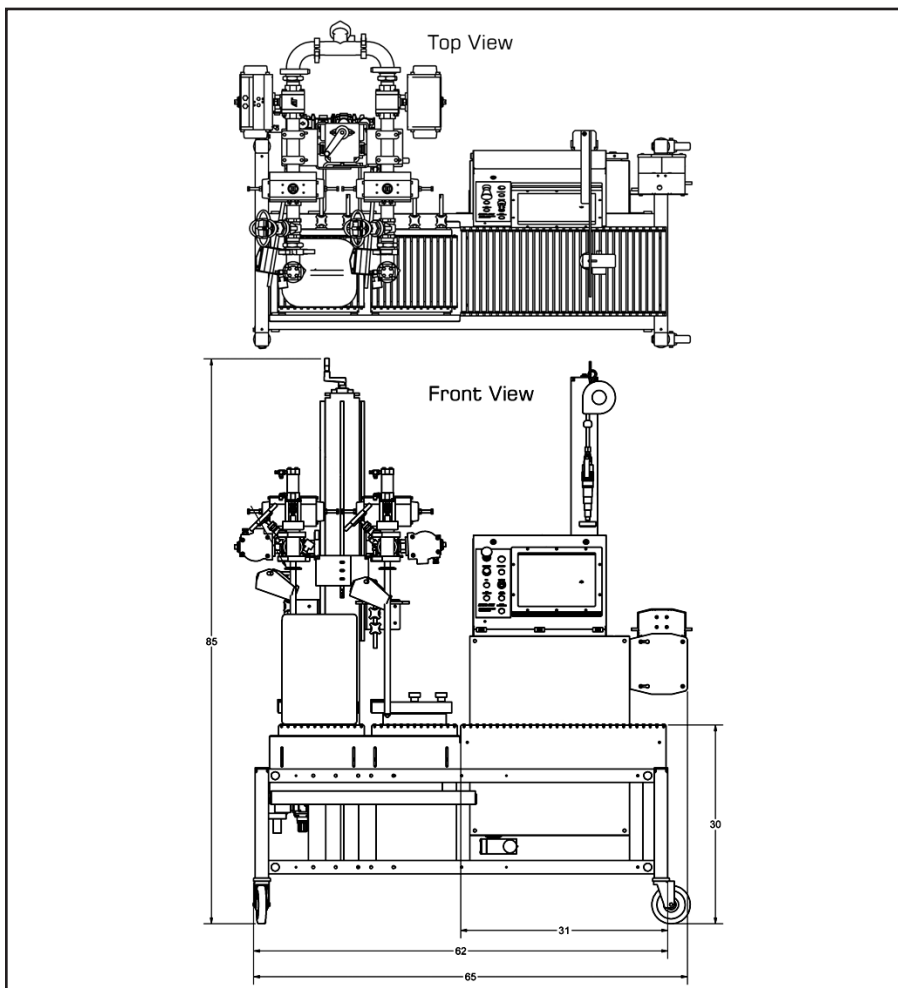
Electrical	120 VAC, 1Ø, 60HZ
Air (per head)	60 CFM @ 80 PSI (Clean Dry Air)
Speed*	2 Head
Quart	6 - 10 CPM
Gallon	5 - 9 CPM
5 Gallon	3 - 6 CPM
6 Gallon	2 - 5 CPM
Accuracy: To Within \pm .10 lbs	
*Fill rates will vary depending on container size, container shape, fill opening, accuracy required, product supply, as well as individual product characteristics and operation mode.	

OPTIONS

- Additional Fill Carts (up to 2 heads)
- Additional Product Contact Parts
- Air Diaphragm Pump Control
- DFS™ Upgrade (Limited Nozzles)
- Extended Plug & Bottom Up Filling
- Flush Trough for Remote Cleaning
- Gravity Roller Conveyors
- Hand Capper
- Lagable Level Pads
- Nitrogen Purge Controls
- Friction Lid Press Plate
- Product Contact Parts Mounted on Fill Cart
- Purgeable Instrument Bezel
- Recommended Spare Parts Package
- Remote air operated Flush Control Box for Filling Module
- Sanitary Product Contact Parts
- Type X NFPA 496 Control Module

Subject to changes and modifications without notice.

May be covered by one or more of the following U.S. Patents: #5,505,233, #5,823,406, #6,148,877, #6,595,250



ME2-RNM 4-2015

