

IDEAL-PAK[®]

Filling & Packaging Line Solutions

Industry Solutions Since 1949

PREFERRED

Semi-Automatic Filling Machine
E-Series

Line

This Net Weight filling machine is IDEAL for packaging liquid or semi-viscous food products into plastic 1 to 5 gallon containers. The machine is light and compact so it is easy to position in a manufacturing facility. The operator simply places a container on the scale and pushes the fill button. The container is tared and automatically filled by net or gross weight. Manually place a lid or cap and roll the container off the scale. Combining the filling machine with a roll through closing or capping machine further automates the packaging process.

FEATURES

- Blue vacuum fluorescent 5" high weight display
- Clamped support on post for adjusting height of nozzle
- Oil dampened load cell
- Solid Delrin lift out rollers
- Stainless Steel frame
- Nema 4X Enclosure
- IP-65 Operators
- Sanitary product contact parts
- Can be configured for alternating or simultaneous filling



Model: SE2-RNS



IDEAL[®]

MANUFACTURING & SALES CORP.

Ideal Manufacturing & Sales Corp.
4607 Dovetail Drive • Madison, WI 53704
Toll Free: (800) 383-1128 • Local: (608) 241-1118
www.ideal-pak.com

May be covered by one or more of the following
U.S. Patents: #5,505,233, #5,823,406, #6,148,877, #6,595,250



Sizes

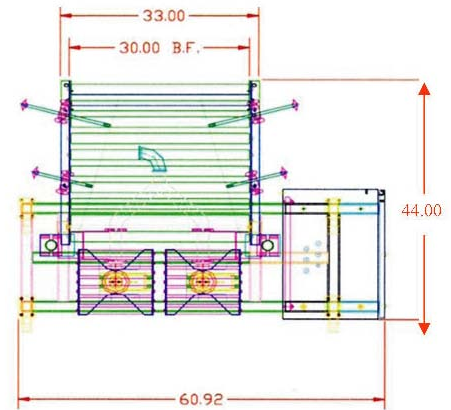
1/2 Pint	●	Pails
Pints		Kegs
Quart		Drums
● Gallons		Totes

Machine Specifications

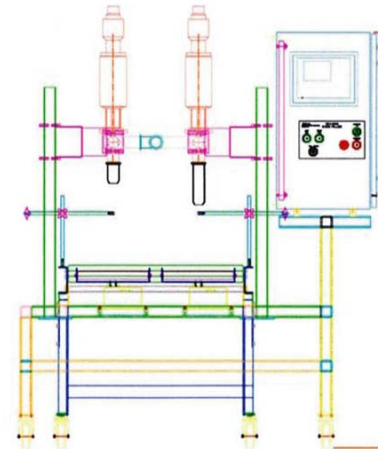
Electrical	120 VAC, 15 Amp, 60 Hz, 1Ø, Nema 4 X	
Air	5 SCFM @ 80 PSI (Clean Dry Air)	
Container Size	1 and 5 Gallon Open Top	
Speed*		
1 Gallon	4-10 cpm	
5 Gallon	2-6 cpm	
Accuracy: To within \pm .25 lb.		
*Fill rates will vary depending on container size, container shape, fill opening, accuracy required, product supply, as well as individual product characteristics.		

Since we continuously strive to improve our products, we reserve the right to make changes and modifications without notice.

Top View



Front View



OPTIONS

- RS-232 Output
- Time and Date transmitting of each fill to peripheral devices
- Closers/Cappers
- Nozzles for smaller sizes to 1/2 pint
- Bottom up filling

